

Quarry & Mining Equipment Ltd  
Coolfore Road,  
Ardracran,  
Navan,  
Co. Meath,  
Ireland.



Tel +353 871491945  
email: jrooney@qme.ie

<http://www.QME.ie>  
VAT No: IE 4849287S

## **JD31 Sandvik DD512i Bolter YoM 2022**

- 2022 DS512i Bolter available immediately from stock.
- Exact specification below.
- Engine Cummins 6.7 194kW, Stage V
- Sandvik RD314 Rock drill
- Screen handler on dedicated boom
- Full Cabin with Air Conditioning
- Auto Ansul Fire Suppression system inc. Checkfire
- Central Greasing & Automatic greasing for booms. (Additional manual greaser fitted)
- 660 Volts 50Hz (Multi Voltage Option).
- Set up for 2.4m Resin bolts (BH24 bolting head)

Sandvik factory test hours only. Engine hours 0010, Percussion hours 0010, Compressor Hours 0020, PP hours 0020

This bolter is available for rent / sale immediately.

Located 45 minutes from Dublin airport, Ireland.

Additional updated photos and operational video available on request.

Global shipping can be arranged.



Quarry & Mining Equipment Ltd  
Coolfore Road,  
Ardracran,  
Navan,  
Co. Meath,  
Ireland.



Tel +353 871491945  
email: jrooney@qme.ie

<http://www.QME.ie>  
VAT No: IE 4849287S

### **Sandvik DS512i rock bolter:**

- 1 x C400D carrier with hydrostatic transmission
- 1 x Engine Cummins B6.7 (194 kW Stage V)
- 1 x Powerpack tramming
- 1 x FOPS/ROPS (ISO3449/3471) operator's cabin
- 1 x Cabin air conditioning and heating system
- 1 x Cabin front screen protection grill and boot washer
- 1 x CD/MP3-player, radio, loudspeakers and 12 V outlet
- 1 x RD314 rock drill
- 1 x Drilling automation package: Silver
- 1 x BHi bolting head
- 1 x SB120iS telescopic boom (right hand)
- 1 x HP555 powerpack (55 kW, right side of carrier)
- 1 x Oil-to-water cooler
- 1 x SLU1 shank lubricating device
- 1 x CTN10 air compressor for shank lubrication
- 1 x WBP1 water booster pump
- 1 x MSE10 main switch
- 1 x TCR4EC cable reel
- 1 x Remote control for reel(s)
- 1 x MP3/CD-player, radio and loudspeakers
- 6 x 50 W (24 V) LED lights (front)
- 2 x 50 W and 2 x 17 W (24 V) LED lights (rear)
- 2 x Parking LED lights
- 1 x Stair and service lights
- 1 x Amber LED (24 V) flashing light
- 1 x Remote controlled search light
- 1 x 110 V or 230 V (16 A) outlet on carrier
- 1 x Hand held fire extinguisher
- 1 x MySandvik remote monitoring
- 2 x Wheel chocks
- 2 x Tramming cameras (rear and side)
- 1 x Sandvik standard colour scheme
- Documentation:
  - 2 x Operator manual
  - 2 x Maintenance manual
  - 2 x Technical manual (in English only)
  - 2 x Parts manual (in English only)

Options included;

- \*CT28 air compressor instead of CTN10
- Water hose reel THR2.5E and 100 m (Ø32 mm) hose

Quarry & Mining Equipment Ltd  
Coolfore Road,  
Ardracran,  
Navan,  
Co. Meath,  
Ireland.



Tel +353 871491945  
email: jrooney@qme.ie

<http://www.QME.ie>  
VAT No: IE 4849287S

- \*Bolting head for 12 bolts (max plate size 150 x 150 mm)
- Bolting system GCR: Resin cartridges (including resin box storage, NC7)
- In-the-hole resin cartridge injection system (TS2-290)
- Automatic resin injection system (ARI)
- Bolt storage and bit rack on the front module (bolt length < 3 m)
- Bolt storage on carrier right side
- Screen handler on dedicated boom

Additional Options:

- \*Cabin with tilting system (15°)
- Cabin safety grill lifting mechanism (400i-class)
- Automatic greasing system for carrier, booms (2-boom) and bolting head
- Bypass hydraulic oil filter
- High pressure (180 bar) cleaning system with reel (TS2-343)
- Indicator light for jacks (up and down)
- Manual greasing unit with pump, reel and nozzle (TS 5-2110)
- Reduced max. tramming speed (3rd gear lock-out)
- Rod rack (4 rods) on carrier side (not with bolt storage system)
- Vacuum pump for hydraulic oil
- Battery jump start
- Dewatering pump outlet 8 kW (site voltage 380-690 V/50 Hz)
- Multi-voltage Pro (380-1000 V/50 or 60 Hz)
- Access detector (mandatory in Europe)
- Automatic fire suppression system ANSUL (6 nozzles)
- Specific options for the European Union
- Spare: Wheel assembly for C400D carrier (standard tire)

Quarry & Mining Equipment Ltd  
Coolfore Road,  
Ardracran,  
Navan,  
Co. Meath,  
Ireland.



Tel +353 871491945  
email: jrooney@qme.ie

<http://www.QME.ie>  
VAT No: IE 4849287S



Quarry & Mining Equipment Ltd  
Coolfore Road,  
Ardbraccan,  
Navan,  
Co. Meath,  
Ireland.



Tel +353 871491945  
email: jrooney@qme.ie

<http://www.QME.ie>  
VAT No: IE 4849287S



Quarry & Mining Equipment Ltd  
Coolfore Road,  
Ardracran,  
Navan,  
Co. Meath,  
Ireland.



Tel +353 871491945  
email: jrooney@qme.ie

<http://www.QME.ie>  
VAT No: IE 4849287S



Quarry & Mining Equipment Ltd  
Coolfore Road,  
Ardbraccan,  
Navan,  
Co. Meath,  
Ireland.



Tel +353 871491945  
email: jrooney@qme.ie

<http://www.QME.ie>  
VAT No: IE 4849287S



Quarry & Mining Equipment Ltd  
Coolfore Road,  
Ardracran,  
Navan,  
Co. Meath,  
Ireland.



Tel +353 871491945  
email: jrooney@qme.ie

<http://www.QME.ie>  
VAT No: IE 4849287S

Sandvik DS512i is a new highly automated and productivity rock bolting rig for underground mining operations and civil construction tunneling.

Upgraded bolting head with different bolt lengths enables wider bolt selection for all customers. Automatic resin shooting and cement mixing system ensure high quality rock reinforcement process.

Like all Sandvik underground drills, Sandvik DS512i benefits from a design philosophy that focuses on the operator. The complete new cabin is state of the art what comes to noise isolation and ergonomic.

#### KEY FEATURES

Optimum bolting coverage	5 m x 5 m
Hydraulic rock drill	1 x RD314, 14 kW
Bolting head	1 x BHi
Boom	1 x SB120i
Bolt length	From 1.5 m to 6 m (5' to 20')
Turning width (T-section)	4 600 mm
Transport width	3 100 mm
Transport / drilling height	3 050 mm / 3 315 mm
Transport length	14 220 mm
Total weight	29 000 kg depending on options



1. SANDVIK DS512i - ROCK SUPPORT



Quarry & Mining Equipment Ltd  
Coolfore Road,  
Ardracran,  
Navan,  
Co. Meath,  
Ireland.



Tel +353 871491945  
email: jrooney@qme.ie

<http://www.QME.ie>  
VAT No: IE 4849287S

#### HYDRAULIC ROCK DRILL

Type of rock drill	RD314 (TS2-137)
Percussion power	14 kW
Percussion pressure	Max. 160 bar
Percussion rate	110 Hz
Rotation speed	Max. 520 rpm (with OMS100)
Rotation torque	340 Nm (with OMS100)
Hole size (bolting)	33 - 43 mm
Shank adapter	45 mm / R32 female
Weight	122 kg
Length	571 mm

#### BOLTING HEAD

Type of bolting head	BH (TS2-277)
Bolting head feed	KS140
Bolt carousel capacity	8 rock bolts with 150 x 150 mm maximum plate size
Bolt head length	Max. 7 535 mm (BH60)
Net weight	Max. 2 174 kg (BH60)

#### BOLTING BOOM

Type of boom	SB120i (4-3320)
Boom extension	1 900 mm
Boom weight, net	3 000 kg
Roll-over angle	360°

#### HYDRAULIC SYSTEM

Powerpack	HPP355 (1 x 55 kW)
Filtration size (pressure / return)	20 µ / 10 µ
Oil tank volume	270 liters
Oil tank filling pump	Electric
Oil cooler (water actuated)	OW30 oil-to-water (1 x 30 kW)

#### DRILLING CONTROL SYSTEM

Control system type	SICA
Drilling control modes	Intelligent Torque control / Feed percussion / manual
Upgradeable automation levels	
Comprehensive diagnostic system	
Electronic joystick controls	
15" full color touch screen	
Cable kit for spare part programming	
Safety lock for movement prevention	2 switches

#### ELECTRICAL SYSTEM

Standard voltage	380 - 1 000 V (±10%)
Total installed power	70 - 80 kW
Main switch gear	MSF20
IP classification	Specification TS2-132
Starting method	Direct on line 380 V - 1 000 V
Automatic cable reel	TCR4CD with spooling system
Cable reel control	Operator station and remote control at rear machine
Front lights	6 x 50 W LED (24V) >125lx, 20 000 lm; 6 000 k
Rear lights	2 x 50 W LED (24V) and 2 x 17 W LED (24V) 8 000 lm; 6 000 k
Parking rear brake / park lights	2 x Red LED
Stair and service lights	LED (24 V)
Electric quality monitoring	Voltage, Amperage, Power, Pf Energy, Phase-sequence
Motor protection	Intelligent control with power maxi- mization
Extra low voltage supply	Continuous 80 A (27 VDC) with bat- tery back-up and management

#### AIR AND WATER SYSTEM

Flushing of holes	By Water
Water booster pump type	WBP2
Water pump capacity	100 l/min
Water pump inlet pressure	2 bar (Min.)
Flushing water pressure	10 - 15 bar
Shank lubrication device	SLU-1 (Air / oil mist)
Air compressor	CTN10 (1.0 m³/min at 7 bar)
Oil consumption	150 - 250 g/h
Air consumption	250 - 350 l/min
Compressed air outlet	Quick coupling

#### OPERATOR'S SAFETY CABIN

Safety cabin certification	FOPS / ROPS (ISO 3449 / 3471)
Operation	Seated tramming Standing and seated drilling
Sound pressure level	According to EN791, ISO4872, ISO1120. Operator station: 69 db(A)
Vibration level	According to EN791, ISO2631-1
Seat	Fully adjustable seat (tramming and drilling)
Optimized dust level control via air circulation	
Air conditioning	EU6/7 filtering capacity
Cabin heating	During tramming and drilling
Electricity outlets	1 x 24 V, 1 x 12 V and CD player readiness
Stairs and indoors lights	LED
Audio player	CD / MP3 player with radio
Boot washer	At each cabin entrance
Safety laminated acoustic windows	

Quarry & Mining Equipment Ltd  
Coolfore Road,  
Ardbraccan,  
Navan,  
Co. Meath,  
Ireland.



Tel +353 871491945  
email: jrooney@qme.ie

http://www.QME.ie  
VAT No: IE 4849287S

#### CARRIER

Type of carrier	C400D (frame-steered)
Carrier articulation	± 35°
Rear axle oscillation	± 8°
Ground clearance	330 mm
Diesel engine	QSB4.5, 119 kW, Tier 3, Stage IIIA
Transmission	Hydrostatic
Axles	Dana Spicer
Tires	14.00-24 PR28
Brakes	SAHR type, fail-safe wet disc brakes
Tramming speed	12 km/h (limited)
Gradeability / sideways tilt	Max.15° / 5°
Fuel tank	100 liters
Hydraulic jacks	2 x SJ500 (front) 2 x SJ600 (rear)
Brake release	Manual hand pump
Wheel chocks and holders	2 Sets
Centralized greasing points	Specification 5-2110
Manual greasing system	Specification 5-2110
Hand held fire extinguisher	1 x 7.7 or 9 kg (type ABC)
Tramming alarm	Standard
Toolboxes and first aid kit	
Colour scheme	Sandvik
Documentation	2 x Operator's manual 2 x Maintenance manual 2 x Technical manual (in English only) 2 x Parts manual (in English only) 2 x CD of manuals (PDF files)

#### OPTIONAL FEATURES AND PACKAGES

##### Bolting head

*Bolt carousel capacity	10 rock bolts for square plate 120 mm 12 rock bolts for square plate 100 mm 16 rock bolts for square plate 85 mm
-------------------------	--

##### Bolting option

*Bolting alternatives	GCR, WI, S, BCS, M, K
Automatic resin shooting	ARI system
"In the hole" resin cartridges injection system	See spec. 8-610S
Screen handler	SB90RSH dedicated boom
Cement dust collector	Above the mixer
Bolt storage	On right side, or front module
Bolting head oiler	Recommended with P-system

##### Hydraulic system

Vacuum pump for hydraulic system  
By pass oil filter

##### Instrumentation

Access detector, or protector Mandatory in Europe (TS2-211)

##### Air and water system

*Air compressor	CT28 (2.8 m³/min, at 7 bar)
Compressed air outlet	Quick coupling
Water hose reel and hose	THR2.5E with Ø38 mm (1 ½"), 65 m

##### Cleaning system

LP system with reel	Up to 15 bar
HP system with reel	Up to 180 bar
Bolting module continuous washing system	Remote controlled

##### Greasing systems

Manual system	Specification 5-2110
Automatic system	Lincoln (complete)

#### OPTIONAL FEATURES AND PACKAGES

##### Electric system

*Electric cables	Specification TS2-121
Ground fault and overcurrent protection	VYK
Dewatering pump outlet	8 kW, Site voltage 380 - 690 V
Multivoltage basic	380 - 440 V, 690 V 50 or 60 Hz
Multivoltage pro	380 - 1 000 V, 50 or 60 Hz
Current draw reducer unit	
Remote controlled spot lights	2 pcs
Indicator lights for jacks	Up and down
Earth continuity control	1 wire pilot circuit with remote reset / disconnect
Amber flashing light	LED (24 V)
Battery jump start	Optional

##### Operator's safety cabin

Tilttable cabin	10° to improve operator's comfort
Cabin heating	During tramming and drilling
Tramming camera	Rear and side

##### Fire suppression system

Spare hand held fire extinguisher	1 x 7.7 or 9 kg (type ABC)
Manual or automatic system	Ansul, 6 nozzles
Fire suppression system	Sandvik Eclipse™

##### Carrier

Reduced tramming speed	3 rd gear lockout
*Diesel engine	QSB6.7, 205 kW, Tier4F, Stage IV QSB4.5, 122 kW, Tier4F, Stage IV
*Foam filled tires	4 pcs
Fast filling system	Complete
Rod rack	On carrier side (4 rods)
Wheel chocks and holders	2 pcs

##### Extra items

Spare rock drill	RD314
Spare wheel assembly	Standard or foam filled tire
Special tools for rock drill	Field kit, complete set
Documentation	Extra, Catbase, Link one manuals
Warranty extension	One year (excl. Kazakhstan)
Automation package	Silver, Gold

\*) replaces standard feature

Quarry & Mining Equipment Ltd  
 Coolfore Road,  
 Ardbraccan,  
 Navan,  
 Co. Meath,  
 Ireland.



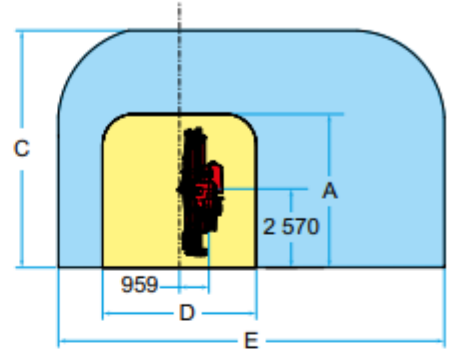
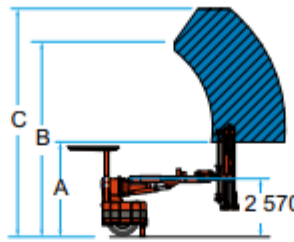
Tel +353 871491945  
 email: jrooney@qme.ie

<http://www.QME.ie>  
 VAT No: IE 4849287S

This bolter is fitted with BH24 Bolting Head. Dimensions below.

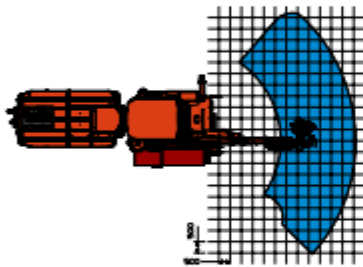


Bolting head	Minimum operating height and width (A;D)	Optimum operating height (B)	Maximum operating height (C)	Maximum width (E)
BH15	2 930	8 320	10 260	12 460
BH18	3 150	8 320	10 260	12 460
BH22	3 650	8 320	10 260	12 460
BH24	3 900	8 780	10 720	13 380
BH27	4 110	8 780	10 720	13 380
BH30	4 450	8 780	10 720	13 380
BH40	5 650	9 620	11 560	15 060
BH50	6 650	10 620	12 560	17 060
BH60	7 620	10 620	12 560	17 060

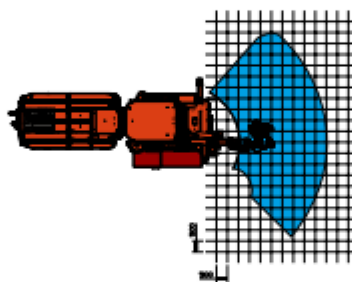


All dimensions in mm

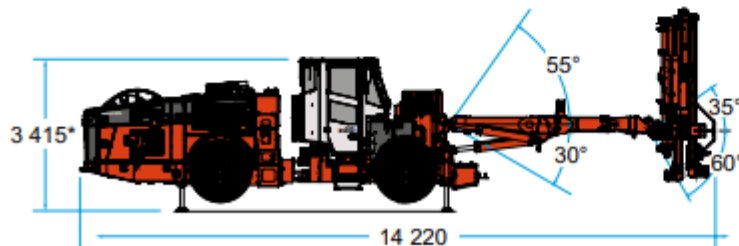
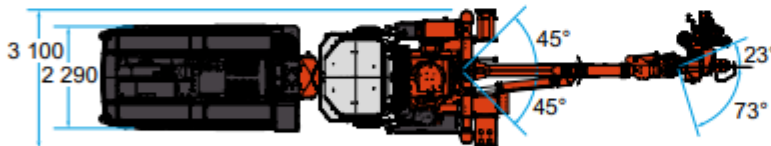
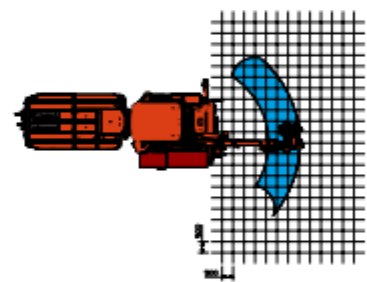
Minimum operating height A



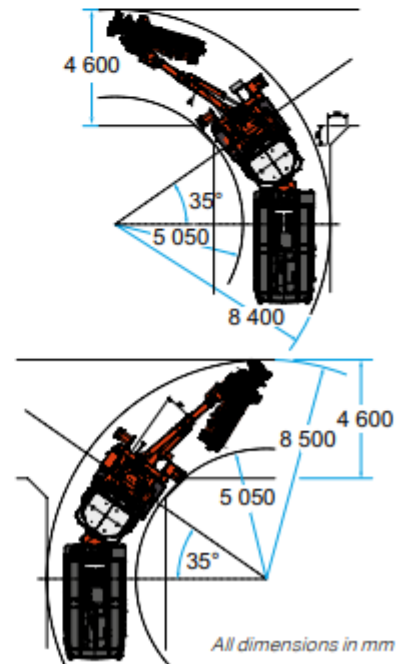
Optimum operating height B



Maximum operating height B



All dimensions in mm  
 \*Add 100 mm height with tilting option



All dimensions in mm